

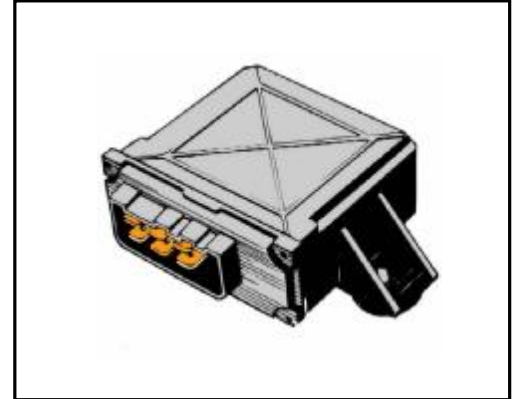
410.058 – CYCLE TIMER – 12/24VDC

GENERAL

The 410.058 is a general purpose one-shot and cycle timer module designed to be used in the automotive, trucking and marine environments. The module may be used as a one shot timer having a preset time delay on power up. The time delay is selectable between 0-2 sec, 0-8 sec, 0-1 min or 0-8 min.

The module may also be configured to run as a continuous cycle timer with separately adjustable "on time" and "off time" delays.

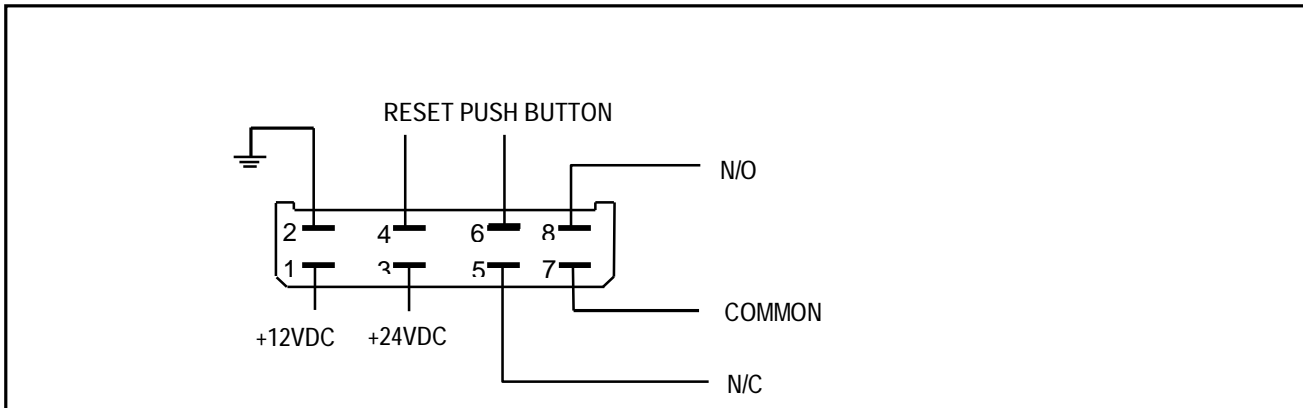
See "settings" below for the time periods available.



FEATURES

1. Unit has a relay output rated at 12/24vdc 1.5amp resistive.
2. Dual voltage is available via separate power inputs for 12v and 24v.
3. A reset is available by wiring a N/O pushbutton across term's 4 & 6. Alternately, turning the "ignition" key off and then on again will restart the timer.
4. On time is adjustable in the ranges...0-2 secs, 0-8 secs, 0-1 min, 0-8 min.
5. Off time is adjustable in the ranges... 0-20 secs, 0-80 secs, 0-10 min, 0-80 min.
6. The unit may also be easily set to operate as a "one shot", or single cycle timer if required.

WIRING DIAGRAM



SETTINGS

Switch No.	1	2	Max on Time
	On	Off	2 sec
	Off	On	8 sec
	On	On	1 min
	Off	Off	8 min

3	4	Max off Time
On	Off	20 sec
Off	On	80 sec
On	On	10 min
Off	Off	80 min

5	Mode
On	Cycling
Off	Single shot

SPECIFICATIONS

1. Dimensions: 68 x 30 x 73mm deep, overall box dimensions.
2. Mounting: Hole centres -83mm, mounted height -35mm, box with plug & wiring allow 110mm+.
3. Voltage: 12/24 Volt DC Negative Ground systems.
4. On Time: Adjustable in the ranges...0-2 secs, 0-8 secs, 0-1 min, 0-8 min.
5. Off Time: Adjustable in the ranges... 0-20 secs, 0-80 secs, 0-10 min, 0-80 min.
6. Output: Volt free changeover relay contacts, N/O & N/C rated at 12/24vdc 1.5Amp resistive.